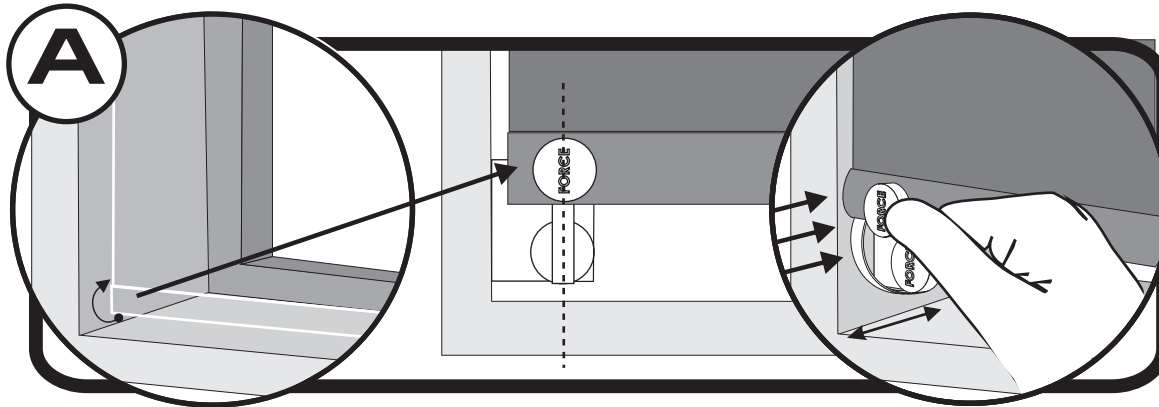




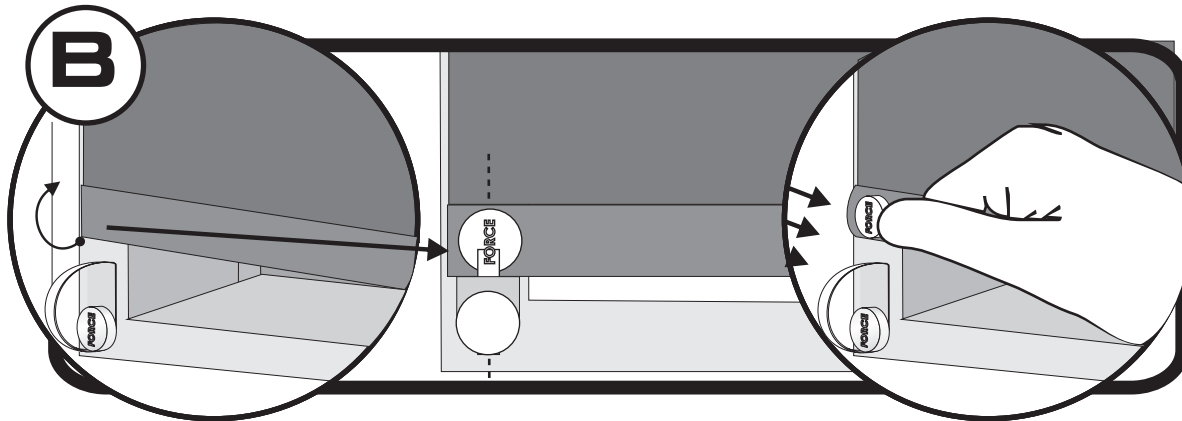
Reveal fit roller blind



Method A, This installation method is for a reveal fitted blind. The main module is fitted into the reveal on the angle bracket and can be placed forward or backward in the reveal to adjust level of force required.

The base bar module is mounted on the back of the base rail aligning with the main module.

Face fit roller blind



Method B, This installation is for a face fit situation. This method has the main module fitted directly to the face of the architrave or wall.

The base bar module is mounted on the back of the base rail aligning with the main module.