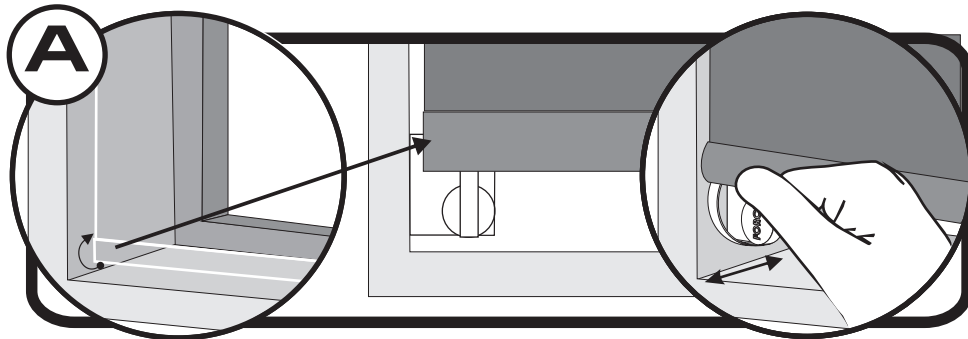


The FORCE AIR is a blind noise reducing system **Designed to economically reduce the noise of banging blinds** when in the **down position**. The FORCE AIR is the little brother of the Original Magnetic repelling FORCE, The new member to the family reduces banging blinds to a whisper at a fraction of the cost. Designed to be retro fitted and compatible with all base rail shapes.

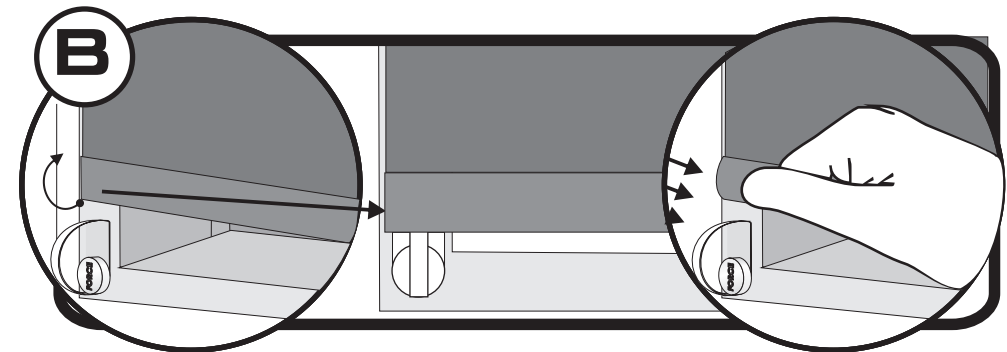
Quick reference installation guide

Reveal fit roller blind



Method A, This installation method is for a reveal fitted blind. The barrier module is fitted into the reveal on the angle bracket and can be placed forward or backward in the reveal to adjust level of force required.

Face fit roller blind



Method B, This installation is for a face fit situation. This method has the main module fitted directly to the face of the architrave or wall. No angle bracket required